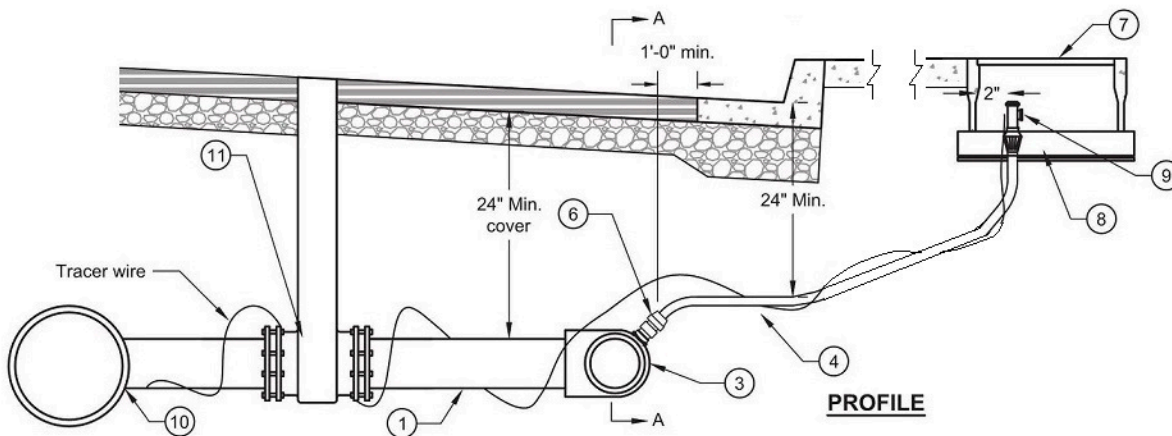


**INSTALLATION NOTES:**

- ① 4" or 6" C900 DR14 pipe
- ② 4" or 6" restrained end cap
- ③ 4" or 6" Tee or elbow restrained joint
- ④ 1" CTS polyethylene pipe (Copper Tubing Size)
- ⑤ Bronze service saddle 1" FIP Tapped at 45°, see Morro Bay Standard Details
- ⑥ 1" PEP PAC X MIP Ford, Jones, or approved equal
- ⑦ Meter and Meter Box, (located behind sidewalk) see Morro Bay Standard Details
- ⑧ Provide 6" of compacted sand support under angle meter stop
- ⑨ Angle Meter stop X PEP Pac join. Ford, Jones, or approved equal
- ⑩ Waterline Tie-In per Engineering Standard 408
- ⑪ 4" or 6" Gate Valve Per City Standard 409

**GENERAL NOTES:**

- A. Resilient wedge gate valve epoxy coated inside and out. MJ x FLG Class 125 o-ring type Mueller or approved equal.



REVISIONS	BY	APP	DATE

STANDARD CURRENT AS OF: JANUARY 2022



**5 OR MORE  
MANIFOLD ASSEMBLY**